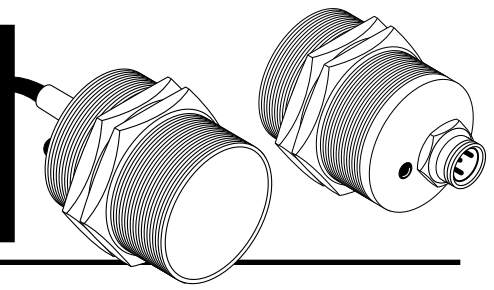


47mm

Inductive Tubular Threaded Barrel

DC AC



Proximity Sensors

20mm (Shielded) Sensing Range

Connector Type	Circuit Description	Housing Material	Housing Length	Shielded Model No.	Unshielded Model No.	Maximum Load Current	Leakage Current	Voltage Drop*	Maximum Switching Frequency		Short Circuit Protected
									Shielded	Unshielded	
DC 10-30V Metal											
4-pin Mini	3W, NPN, NO	Metal	83mm	ET110-92100	—	400mA	<10µA	<2.5 VDC	50Hz	—	yes
4-pin Mini	3W, PNP, NO	Metal	83mm	ET111-92100	—	400mA	<10µA	<2.5 VDC	50Hz	—	yes
6.6' Cable	3W, NPN, NO	Metal	60mm	ET110-92110	—	400mA	<10µA	<2.5 VDC	50Hz	—	yes
6.6' Cable	3W, PNP, NO	Metal	60mm	ET111-92110	—	400mA	<10µA	<2.5 VDC	50Hz	—	yes
AC 20-250V Metal											
3-pin Mini	2W, AC, NO	Metal	83mm	ET120-92400	—	400mA	<1.8mA	<8 VAC	25Hz	—	no
6.6' Cable	2W, AC, NO	Metal	60mm	ET120-92410	—	400mA	<1.8mA	<8 VAC	25Hz	—	no

* Across conducting sensor

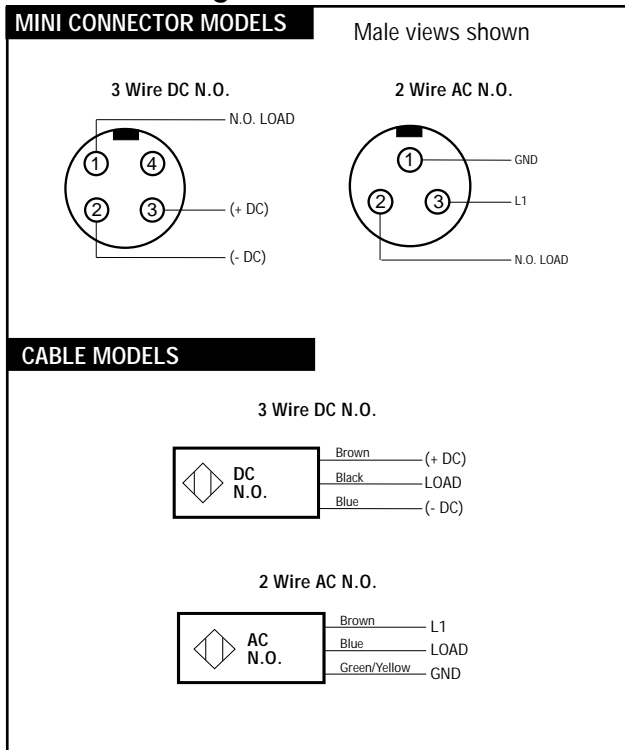
▶ Consult factory for normally closed model availability.



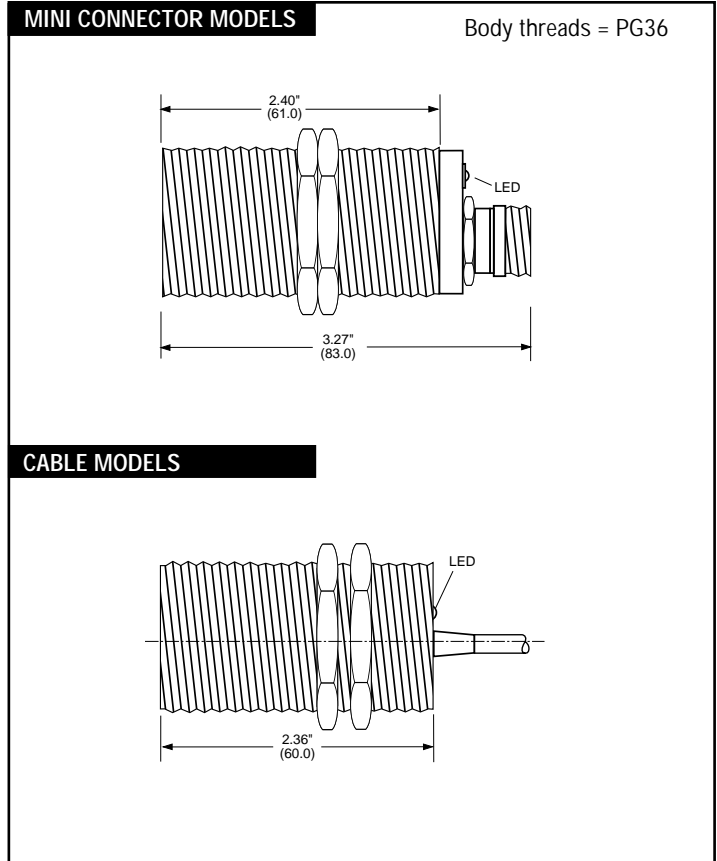
Common Sensor Characteristics

47mm DIAMETER DC & AC SENSORS	
Shielded Sensing Range ($\pm 10\%$)	20mm
Unshielded Sensing Range ($\pm 10\%$)	N/A
Standard Target (mm) (mild steel)	60x60x1
Repeatability	$\pm 2\%$
Hysteresis	3-8% (typ.); 15% (max.)
Range Drift over Temperature	$\pm 15\%$
Operating Temperature Range	-13°F to +158°F
Reverse Polarity Protected	yes
Current Consumption (3-wire DC only)	<7mA
NEMA Enclosure Type	1, 3, 4, 6, 13
LED Indicator	red = target
Metal Housings	Chrome Plated Brass
Cable Type	PVC
Shipping Weight	Connector model: 6 oz. Cable model: 11 oz.

Circuit Drawings



Dimensional Drawings 47mm-DC & AC



NAMCO

2013 West Meeting Street • Lancaster, SC 29720
1-803-286-8491 • FAX: 1-800-678-6263
www.namcocontrols.com

For technical assistance, call 1-800-NAMTECH